

Product availability: Non-Stock - Not normally stocked in distribution facility



Main

Range of Product	Modicon STB distributed I/O solution
Product or Component Type	Standard analog output kit
Kit composition	STBXTS1100, 6-terminal screw type connector STBACO1210 module STBXBA1000 base STBXTS2100, 6-terminal spring clamp connector
Analogue output type	Current 0...20 mA
Analogue output number	2
Analogue output resolution	12 bits

Complementary

Analogue output current	0.02 A
Response Time	3 ms
Cold swapping	Yes
Hot swapping fallback	Yes for standard NIMs
Fallback status	State 0 basic NIMs User configurable standard NIMs
Data format	EN 61131-2 IEC 61131-2
Update time	25 Ms
Conversion time	900 ms at +/- 0.1 % of final value
Protection Type	Short-circuit protection
Integral linearity	+/- 0.1 %FS
Differential linearity	Monotonic
Absolute accuracy error	+/- 0.5 % of full scale per °C
Temperature Drift	+/-0.01 %/°C
Insulation between channels and logic bus	1500 V for 1 minute
Insulation between channels and actuator bus	30 V
Addressing requirement	2 output words 1 word for configuring fallback status
Product Compatibility	Mounting base STBXBA1000 Power distribution module STBPDT3100/3105

[Us] rated supply voltage	24 V DC
Supply	Power distribution module
Current consumption	40 mA 5 V DC logic bus
Marking	CE
Overvoltage category	II
Status LED	Module status (RDY) 1 LED Green) Module error (ERR) 1 LED Red)
Maximum Depth	2.76 In (70 mm)
Maximum Height	0.55 In (13.9 mm)
Maximum Width	5.05 In (128.3 mm)
Net Weight	0.26 Lb(US) (0.117 kg)

Environment

Product Certifications	FM Class 1 Division 2 UL CSA
Pollution degree	2 IEC 60664-1
Operating altitude	<= 6561.68 ft (2000 m)
IP degree of protection	IP20 conforming to EN 61131-2 class 1
Ambient air temperature for operation	32...140 °F (0...60 °C) without)
Ambient air temperature for operation	32...140 °F without
Ambient air temperature for storage	-40...185 °F (-40...85 °C) without
Ambient air temperature for storage	-40...185 °F without
Relative humidity	95 % 140 °F (60 °C) without condensation
Vibration resistance	3 gn 58...150 Hz 35 x 7.5 mm symmetrical DIN rail 5 gn 58...150 Hz 35 x 15 mm symmetrical DIN rail +/-0.35 mm 10...58 Hz
Shock resistance	30 gn 11 ms IEC 88 reference 2-27

Ordering and shipping details

Category	18215 - ADVANTYS STB I/O
Discount Schedule	PC32
GTIN	03595863948776
Nbr. of units in pkg.	1
Package weight(Lbs)	4.83 Oz (137 g)
Returnability	No
Country of origin	ID

Packing Units

Unit Type of Package 1	PCE
Package 1 Height	1.18 In (3 cm)
Package 1 width	3.15 In (8 cm)
Package 1 Length	5.12 In (13 cm)

Offer Sustainability

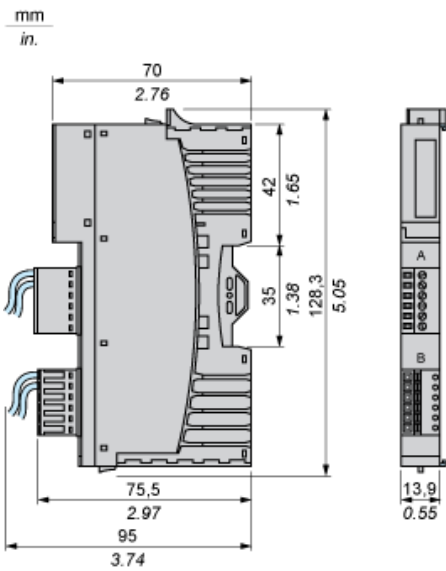
Sustainable offer status	Green Premium product
California proposition 65	WARNING: This product can expose you to chemicals including: Lead and lead compounds, which is known to the State of California to cause cancer and birth defects or other reproductive harm. For more information go to www.P65Warnings.ca.gov
REACH Regulation	REACH Declaration
EU RoHS Directive	Pro-active compliance (Product out of EU RoHS legal scope) EU RoHS Declaration
Mercury free	Yes

RoHS exemption information	Yes
China RoHS Regulation	China RoHS Declaration
Environmental Disclosure	Product Environmental Profile
Circularity Profile	End Of Life Information
WEEE	The product must be disposed on European Union markets following specific waste collection and never end up in rubbish bins.

Contractual warranty

Warranty	18 months
----------	-----------

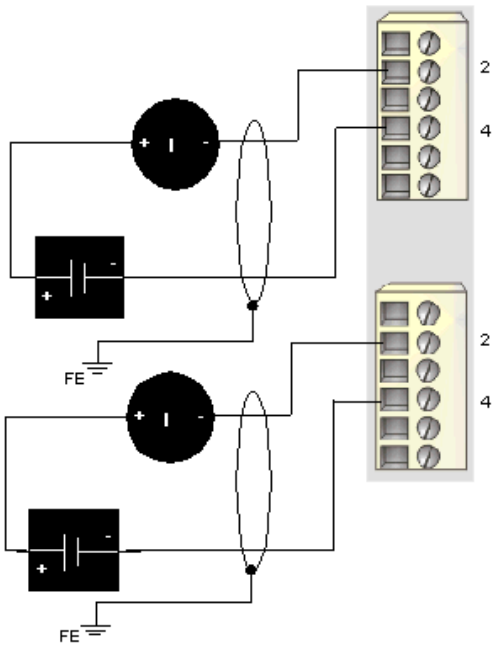
Dimensions



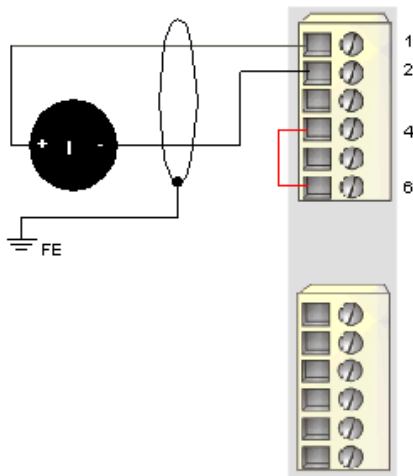
Wiring Diagrams

Examples

2 isolated analog actuators, external 24 VDC power supplies



2 non-isolated analog actuators, 24 VDC supplied by the PDM



Pin	Top Connections	Bottom Connections
1	+24 VDC from actuator bus for field device accessories	+24 VDC from actuator bus for field device accessories
2	output to actuator 1	output to actuator 2
3	no connection	no connection
4	analog output return	analog output return
5	no connection	no connection

Pin	Top Connections	Bottom Connections
6	field power return (to the module)	field power return (to the module)

Product Life Status : **Commercialised**